

# HAMILTON SINKLER

---

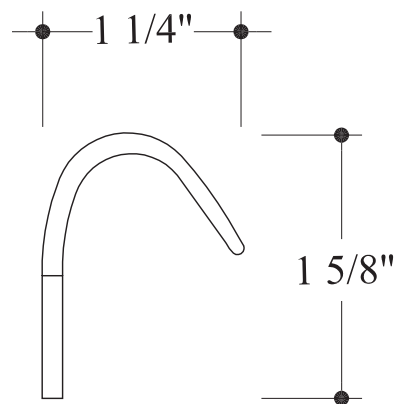
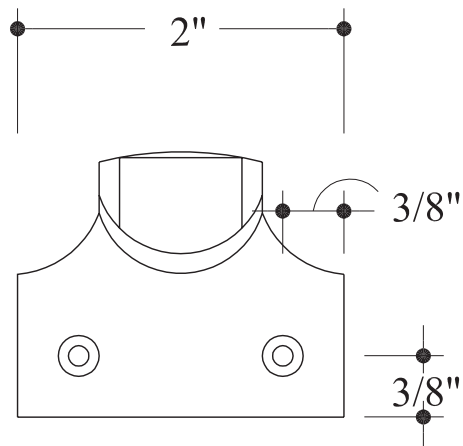
## SL101 Heritage Sash Lift

Standard Finish:

- Bronze Patina
- Brushed Nickel

Base Material:

Solid Bronze or Solid Brass



· 1" Slotted wood screws are included

---

Tel: 212-760-3377  
Fax: 212-760-3362

orders@hamiltonsinkler.com  
www.hamiltonsinkler.com