

## PH205SL.45 / PH205SR.45 Paumelle Hinge Square Barrel 4"-1/2 X 4"-1/2

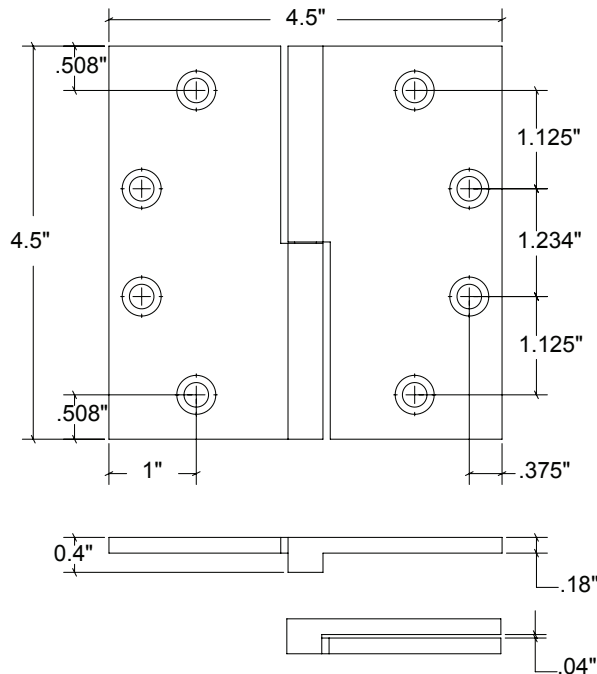
### Finishes:

- Antique Brass (AB)
- Bright Antique Brass (BAB)
- Brushed Nickel (BN)
- Burnished Antique Brass (BRAB)
- Burnished Brass (BRB)
- Burnished Nickel (BRN)
- Dull Black (DB)
- Oil Rubbed Bronze (ORB)
- Pewter (PW)
- Polished Black Nickel (BLN)
- Polished Brass with Lacquer (PB)
- Polished Chrome (PC)
- Polished Nickel (PN)
- Satin Brass (SB)
- Unlacquer Brass (UB)

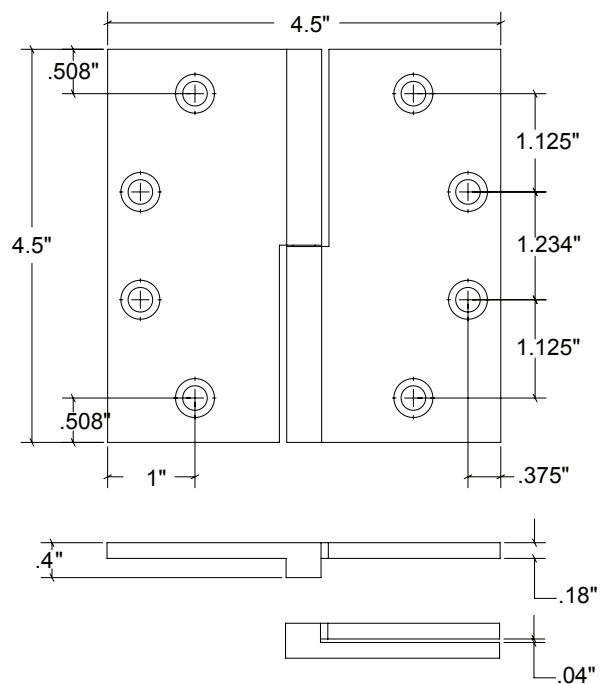
Base Material: Solid Brass



Left Hand: PH205SL.45



Right Hand: PH205SR.45



- #12 x 1-1/4" Flat-Head slotted wood screws are included
- Hamilton Sinkler will ship a complete set based on door configuration and trim selected