

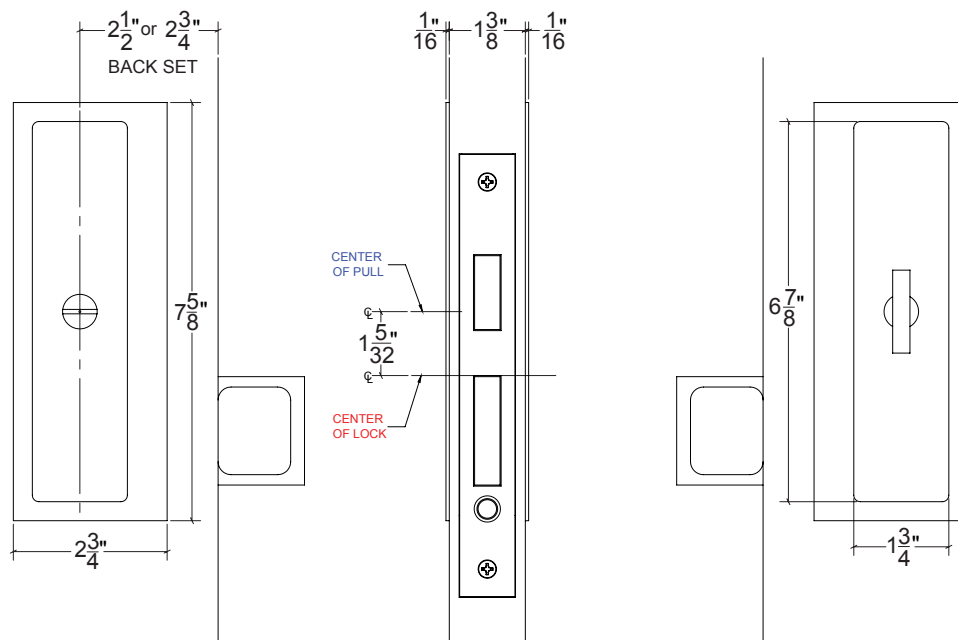
HAMILTON SINKLER

FDP102 PRM Metropolitan Pocket Door Mortise Privacy Set

Finishes:

- Antique Brass (AB)
- Bright Antique Brass (BAB)
- Brushed Nickel (BN)
- Burnished Antique Brass (BRAB)
- Burnished Brass (BRB)
- Burnished Nickel (BRN)
- Dull Black (DB)
- Oil Rubbed Bronze (ORB)
- Pewter (PW)
- Polished Black Nickel (BLN)
- Polished Brass with Lacquer (PB)
- Polished Chrome (PC)
- Polished Nickel (PN)
- Satin Brass (SB)
- Unlacquer Brass (UB)

Base Material: Solid Brass



- Available door functions include entry (on certain size pulls), passage, privacy, and trim-only
- Flush pull sizes can be customized
- Hamilton Sinkler will select all components to create complete sets as per the configuration of the door
- Minimum door thickness for Hamilton Sinkler pocket door hardware is 1-3/4"

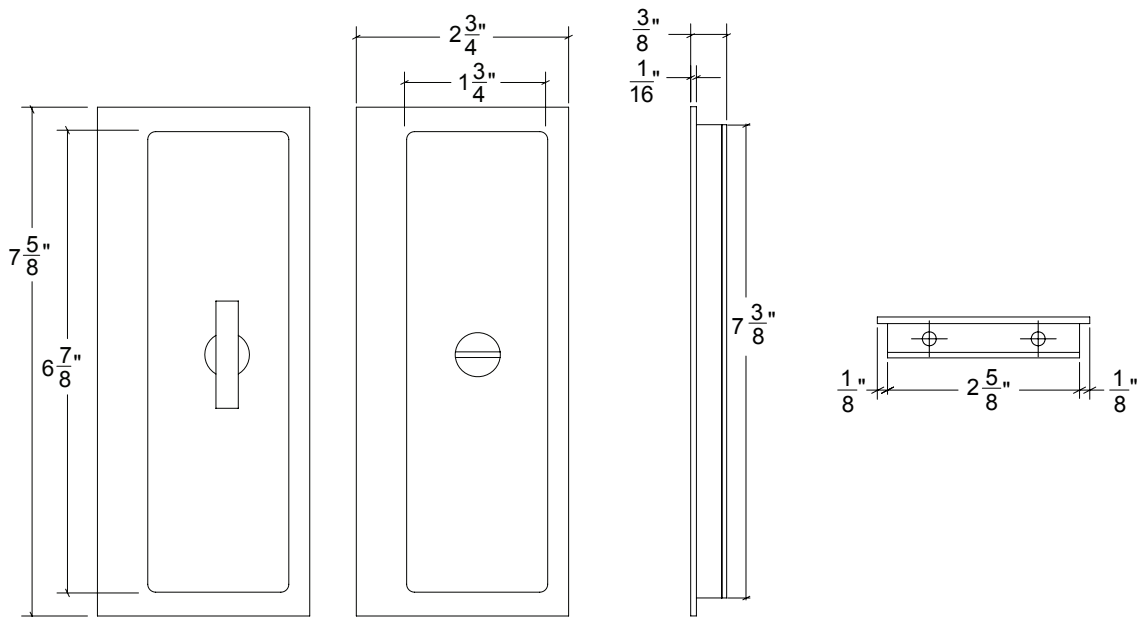
HAMILTON SINKLER

FDP102 PRM Metropolitan Pocket Door Trim Only

Finishes:

- Antique Brass (AB)
- Bright Antique Brass (BAB)
- Brushed Nickel (BN)
- Burnished Antique Brass (BRAB)
- Burnished Brass (BRB)
- Burnished Nickel (BRN)
- Dull Black (DB)
- Oil Rubbed Bronze (ORB)
- Pewter (PW)
- Polished Black Nickel (BLN)
- Polished Brass with Lacquer (PB)
- Polished Chrome (PC)
- Polished Nickel (PN)
- Satin Brass (SB)
- Unlacquer Brass (UB)

Base Material: Solid Brass



- Available door functions include entry (on certain size pulls), passage, privacy, and trim-only
- Flush pull sizes can be customized
- Hamilton Sinkler will select all components to create complete sets as per the configuration of the door
- Minimum door thickness for Hamilton Sinkler pocket door hardware is 1-3/4"