

HAMILTON SINKLER

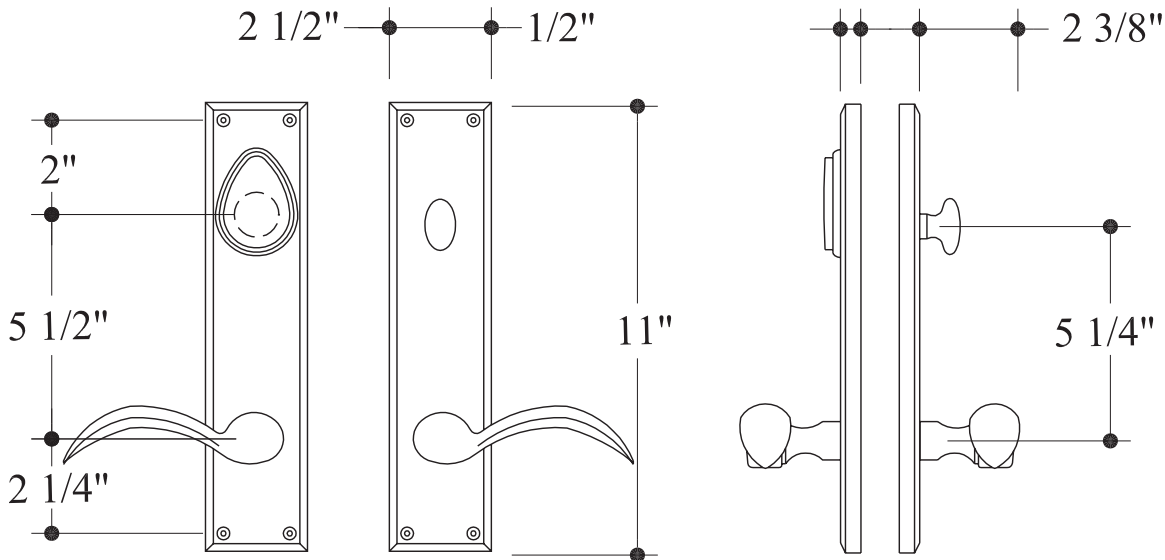
EN03AC Heritage Tubular Entry Set

Standard Finish:
— Bronze Patina

Base Material:
Solid Bronze



Shown with Cleveland H12 Lever



Tubular and Mortise Entry Sets

- Please always provide door thickness, backset and door handing
- Sets are compatible with any lever or knob
- All trims fit up to a $2\text{-}1/8''$ bore. Specify extended strike

Tel: 212-760-3377
Fax: 212-760-3362

orders@hamiltonsinkler.com
www.hamiltonsinkler.com