

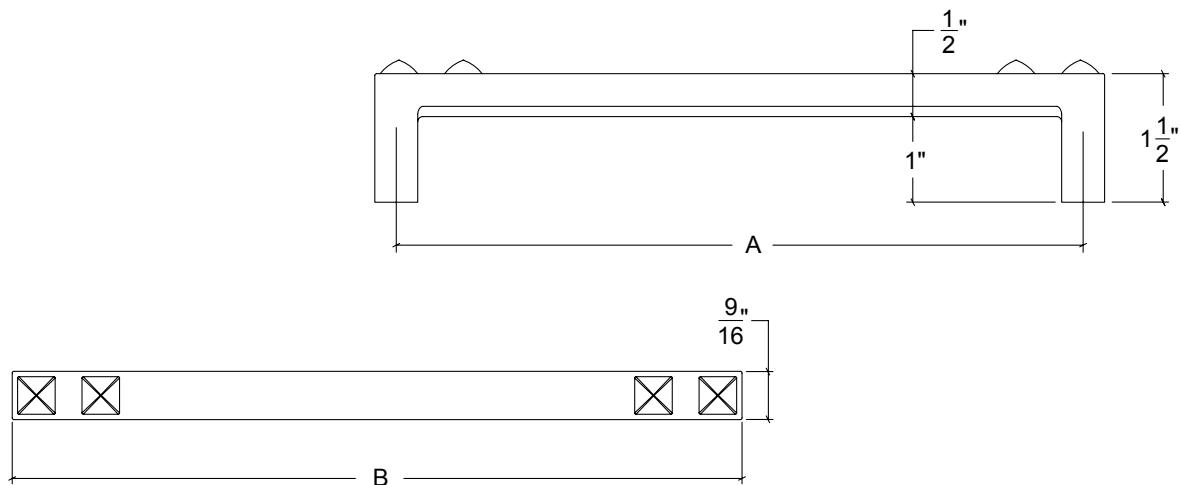
# HAMILTON SINKLER

## DP161 Drawer Pull

Finishes:

- Antique Brass (AB)
- Bright Antique Brass (BAB)
- Brushed Nickel (BN)
- Burnished Antique Brass (BRAB)
- Burnished Brass (BRB)
- Burnished Nickel (BRN)
- Dull Black (DB)
- Oil Rubbed Bronze (ORB)
- Pewter (PW)
- Polished Black Nickel (BLN)
- Polished Brass with Lacquer (PB)
- Polished Chrome (PC)
- Polished Nickel (PN)
- Satin Brass (SB)
- Unlacquer Brass (UB)

Base Material: Solid Brass



CC	A	4"	6"	8"	10"
Overall	B	4-1/2"	6-1/2"	8-1/2"	10-1/2"

- Custom lengths and projections are available upon request
- Screw size: #8-32 x 1-1/4" Pan-Head