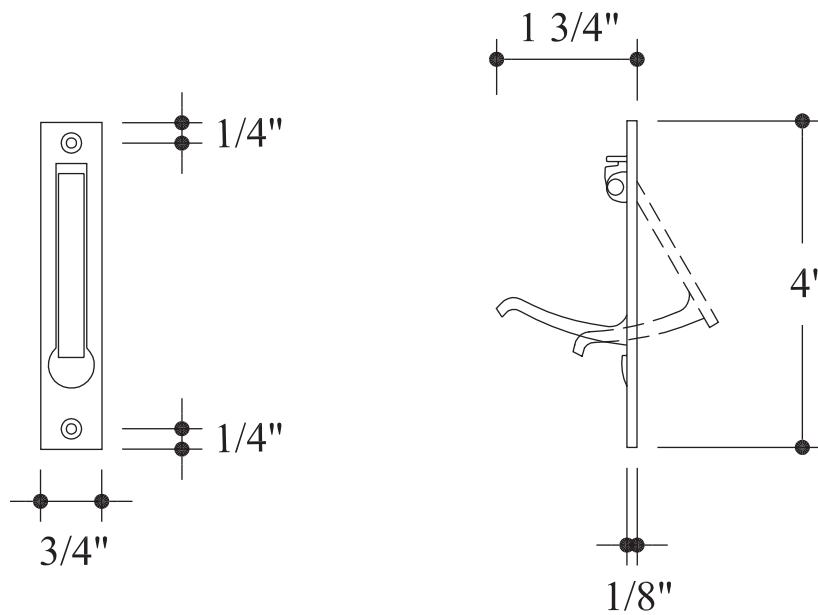


HAMILTON SINKLER

DEP205 Heritage Door Edge Pull

- Standard Finish:
- Bronze Patina
 - Brushed Nickel

Base Material:
Solid Bronze or Solid Brass



· 1" Slotted wood screws are included

Tel: 212-760-3377
Fax: 212-760-3362

orders@hamiltonsinkler.com
www.hamiltonsinkler.com