

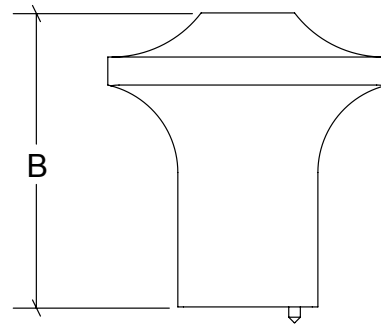
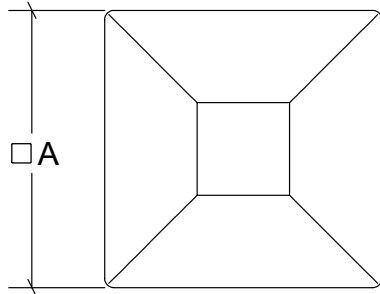
# HAMILTON SINKLER

## CK040 Cabinet Knob

Finishes:

- Antique Brass (AB)
- Bright Antique Brass (BAB)
- Brushed Nickel (BN)
- Burnished Antique Brass (BRAB)
- Burnished Brass (BRB)
- Burnished Nickel (BRN)
- Dull Black (DB)
- Oil Rubbed Bronze (ORB)
- Pewter (PW)
- Polished Black Nickel (BLN)
- Polished Brass with Lacquer (PB)
- Polished Chrome (PC)
- Polished Nickel (PN)
- Satin Brass (SB)
- Unlacquer Brass (UB)

Base Material: Solid Brass



Anti-Rotation Pin

A	1"	1-1/4"	1-1/2"
B	1"	1-1/4"	1-5/8"

· Screw size: #8-32 x 1" or 1-1/4" Pan-Head