

AP075H Back to Back Appliance Pull - Hammered

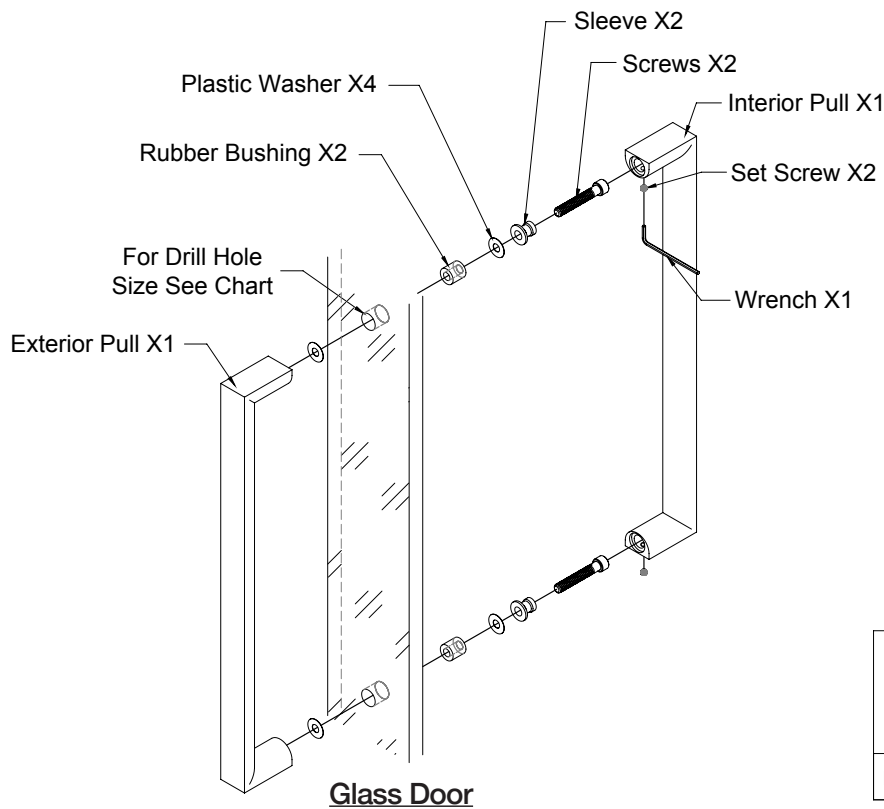
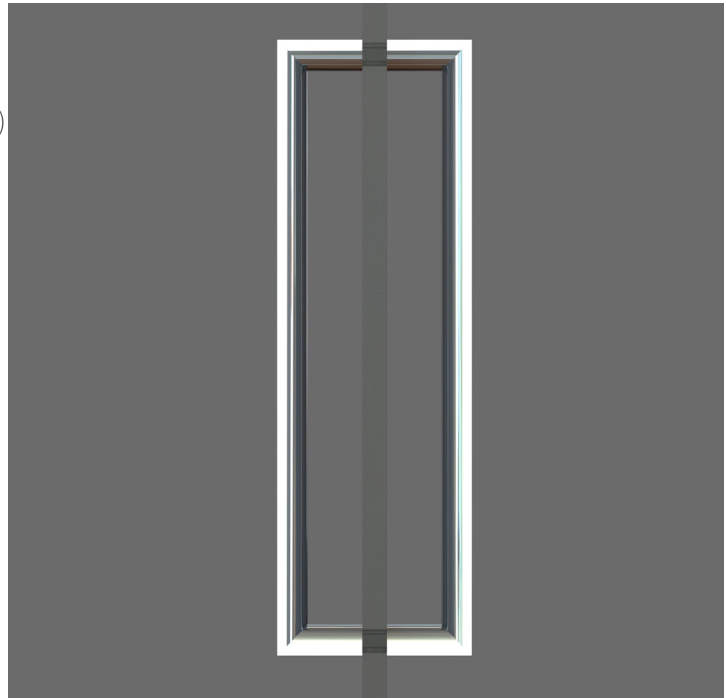
(Same as AP073H, but only for BTB applications)

Finishes:

- Antique Brass (AB)
- Bright Antique Brass (BAB)
- Brushed Nickel (BN)
- Burnished Antique Brass (BRAB)
- Burnished Brass (BRB)
- Burnished Nickel (BRN)
- Dull Black (DB)
- Oil Rubbed Bronze (ORB)
- Pewter (PW)
- Polished Black Nickel (BLN)
- Polished Brass with Lacquer (PB)
- Polished Chrome (PC)
- Polished Nickel (PN)
- Satin Brass (SB)
- Unlacquer Brass (UB)

Base Material: Solid Brass

Back to back/custom lengths and projections are available upon request



	Glass Thickness	D=Minimum Diameter
	3/8"	3/8" ϕ
Drill Hole Size	1/2"	1/2" ϕ

AP075H Back to Back Appliance Pull - Hammered

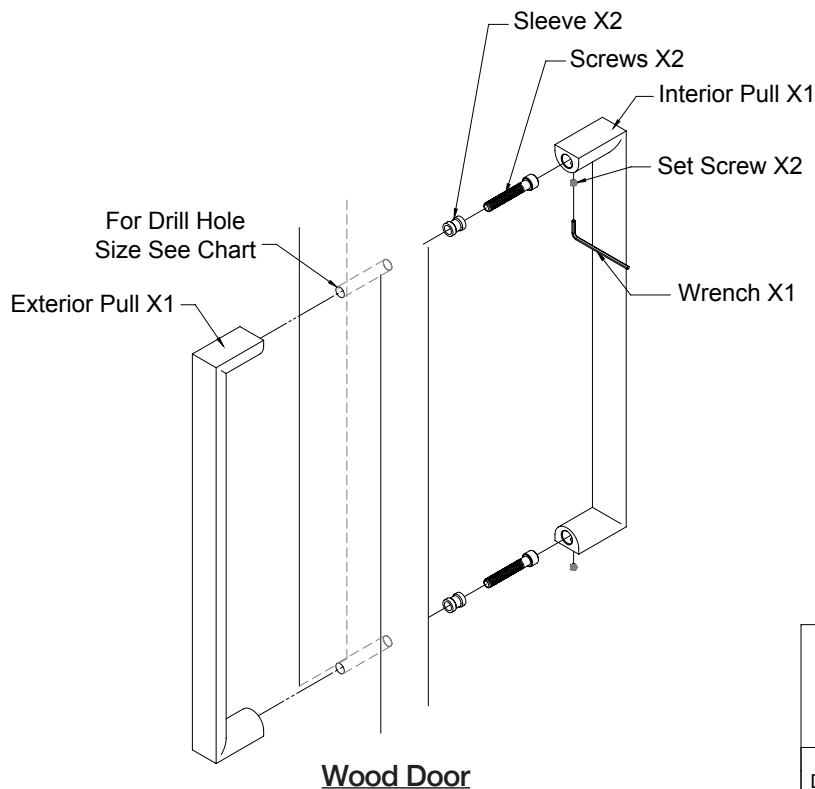
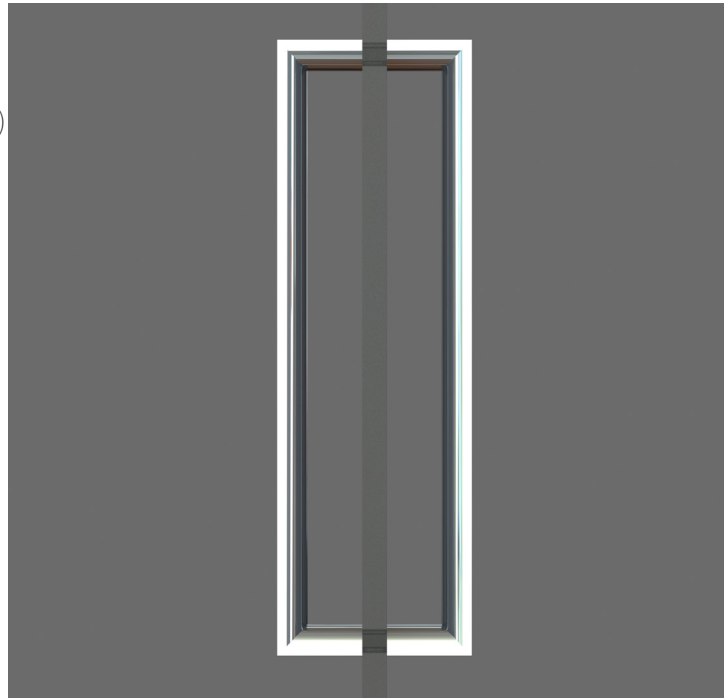
(Same as AP073H, but only for BTB applications)

Finishes:

- Antique Brass (AB)
- Bright Antique Brass (BAB)
- Brushed Nickel (BN)
- Burnished Antique Brass (BRAB)
- Burnished Brass (BRB)
- Burnished Nickel (BRN)
- Dull Black (DB)
- Oil Rubbed Bronze (ORB)
- Pewter (PW)
- Polished Black Nickel (BLN)
- Polished Brass with Lacquer (PB)
- Polished Chrome (PC)
- Polished Nickel (PN)
- Satin Brass (SB)
- Unlacquer Brass (UB)

Base Material: Solid Brass

Back to back/custom lengths and projections are available upon request



	Wood Thickness	D=Minimum Diameter
Drill Hole Size	1 3/8"	5/16" ϕ
	1 3/4"	-----
	2 1/4"	-----